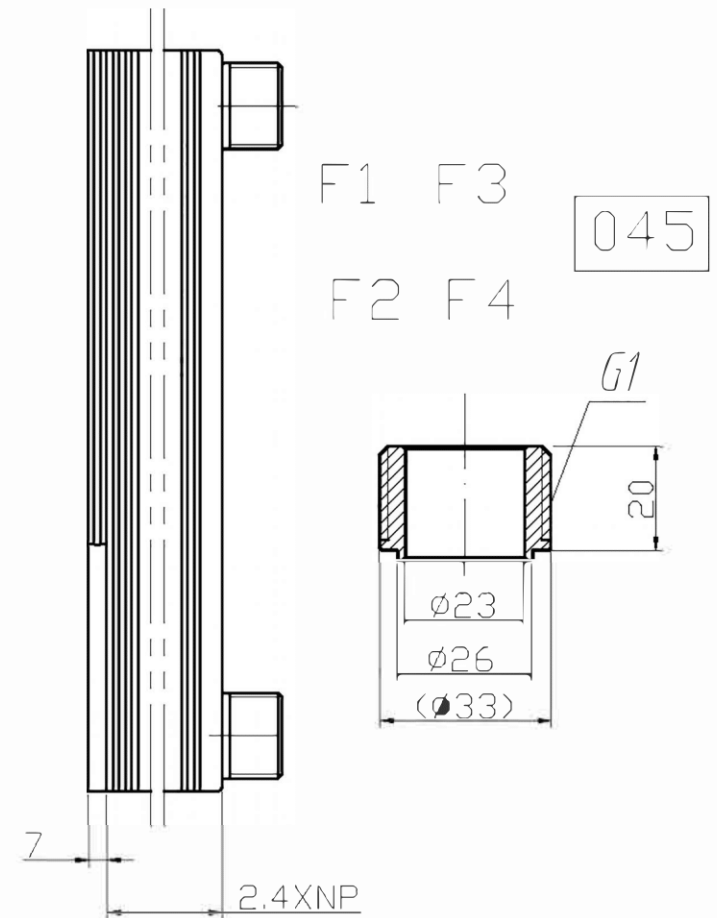
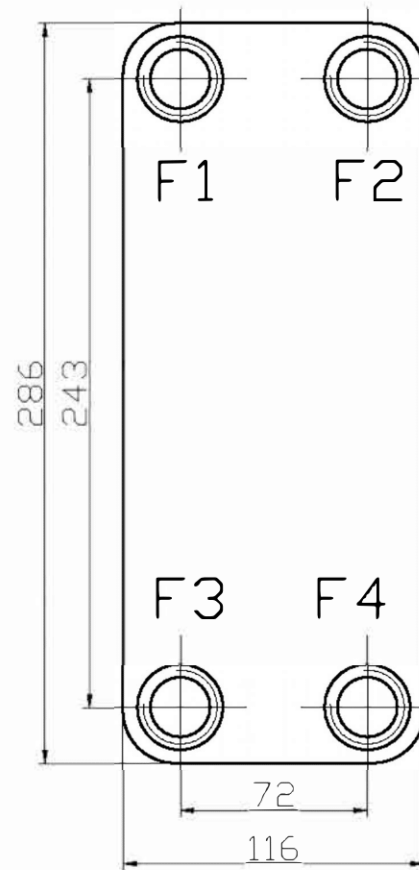


Model	Plate	Material No.
CEN3-32A-34-3.0	34	13011200140
CEN3-32A-20-3.0	20	13011200002
CEN3-32A-24-3.0	24	13011200003
CEN3-32A-30-3.0	30	13011200004
CEN3-32A-40-3.0	40	13011200005
CEN3-32A-50-3.0	50	13011200006
CEN3-32A-60-3.0	60	13011200007
CEN3-32A-70-3.0	70	13011200008
CEN3-32A-80-3.0	80	13011200009
CEN3-32A-44-3.0	44	13011200247
CEN3-32A-100-3.0	100	13011200349
CEN3-32A-19-3.0	19	13011200314
CEN3-32A-28-3.0	28	13011200315
CEN3-32A-86-3.0	86	13011200402
CEN3-32A-22-3.0	22	13011200455



1. Area per plate : 0.032m²
2. Material : SUS304
3. Brazed material : Copper
4. Design pressure : 3.0Mpa
5. Design temperature : -195°C ~ +225°C
6. Circle : F4→F2 F1→F3
7. Tollerances according to GB/T1804-v

BRAZED PLATE HEAT EXCHANGER

CEN32A-002