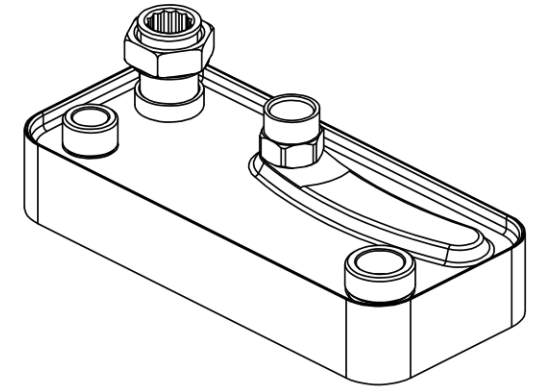
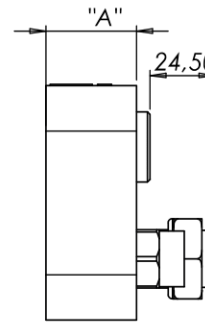
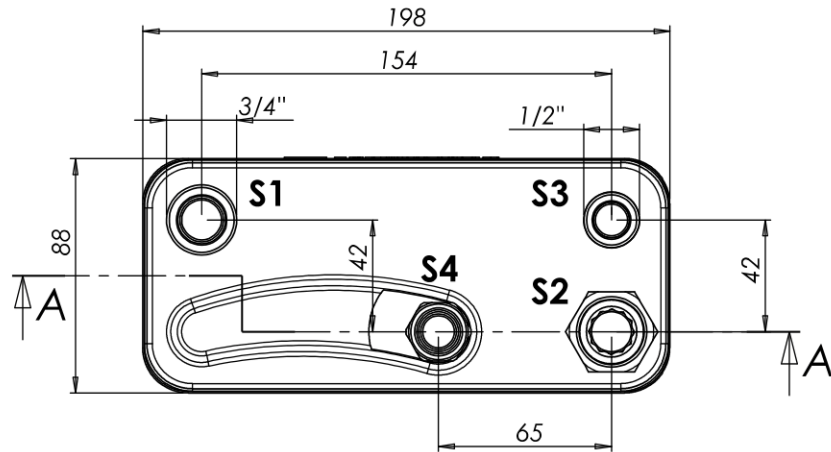
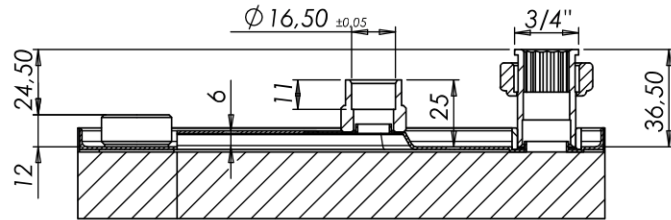


SECTION A-A



CEN3-15B-22	22	56
CEN3-15B-20	20	52
CEN3-15B-18	18	47
CEN3-15B-16	16	43
CEN3-15B-14	14	38
CEN3-15B-12	12	34
CEN3-15B-10	10	29
CODE	PLATE	"A"

"A" = 2.24x N.P. +7mm

S1-S2 PRIMARY SIDE  
S3-S4 SECONDARY SIDE

PLATE THICKNESS 0.30 AISI 304L

BRAZED PLATE HEAT EXCHANGER

CEN15B-003