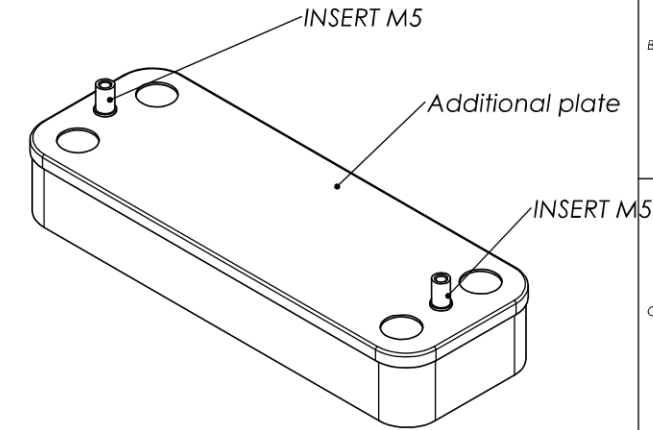


# V2 VERSION "2"



CEN3-14C-22	22	57
CEN3-14C-20	20	53
CEN3-14C-18	18	48
CEN3-14C-16	16	44
CEN3-14C-14	14	39
CEN3-14C-12	12	35
CEN3-14C-10	10	30
CODE	PLATE	"A"

"A" = 2.24x N.P. +7mm

S1-S2 PRIMARY SIDE  
S3-S4 SECONARY SIDE

PLATE THICKNESS 0.30 AISI 304L  
NOTE: Single packed with label  
Yes Logo

DETAIL A  
SCALE 1 : 1

BRAZED PLATE HEAT EXCHANGER

**CEN14C-017**