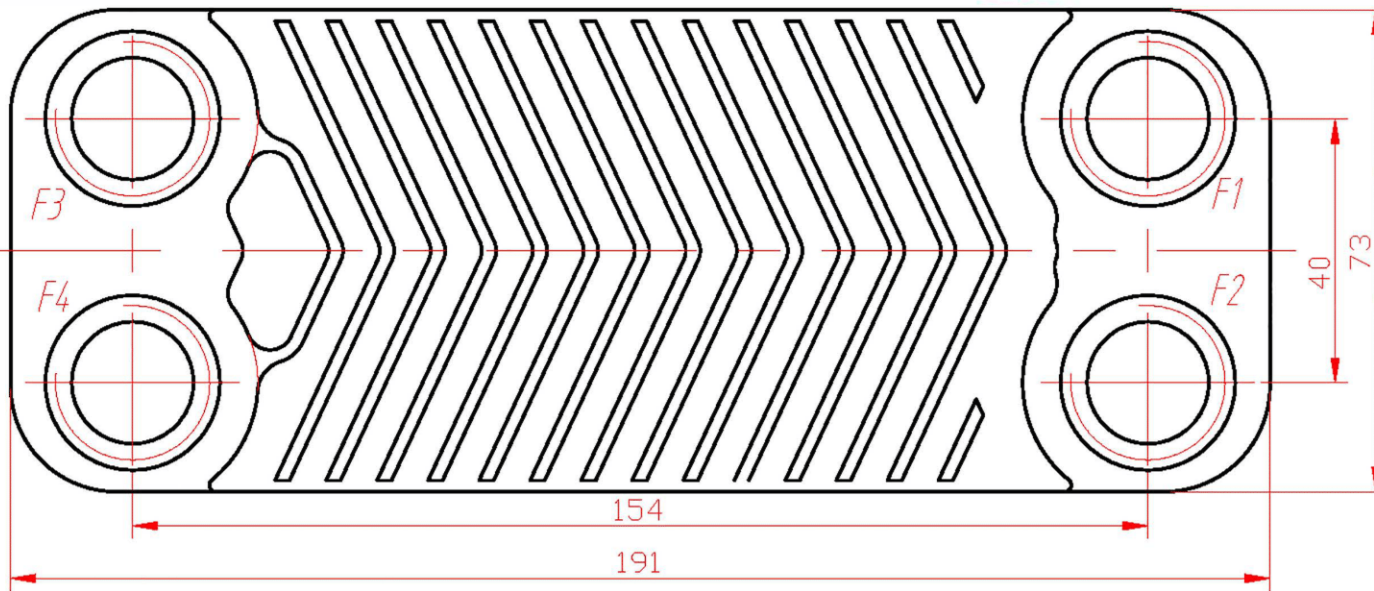
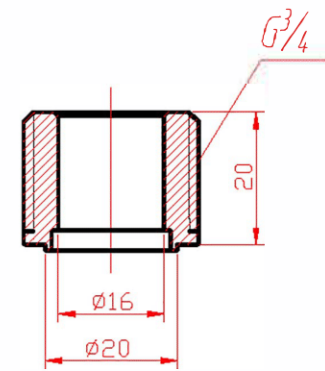


F1 F2 F3 F4 **011**



Model	Total plates	Material No.
CEN3-12A-40-1.0	40	

Unit Heat Exchange Area	0.012m <sup>2</sup>	
Design Pressure	1.0Mpa	
Design Temperature	-195℃~+225℃	
Circle	F1→F3 F4→F2	
material	front plate	sus304
	middle plate	sus304
	connection	sus304
brazed material	99.9% copper	

BRAZED PLATE HEAT EXCHANGER

**CEN12A-078**